

PORTA-CAFS

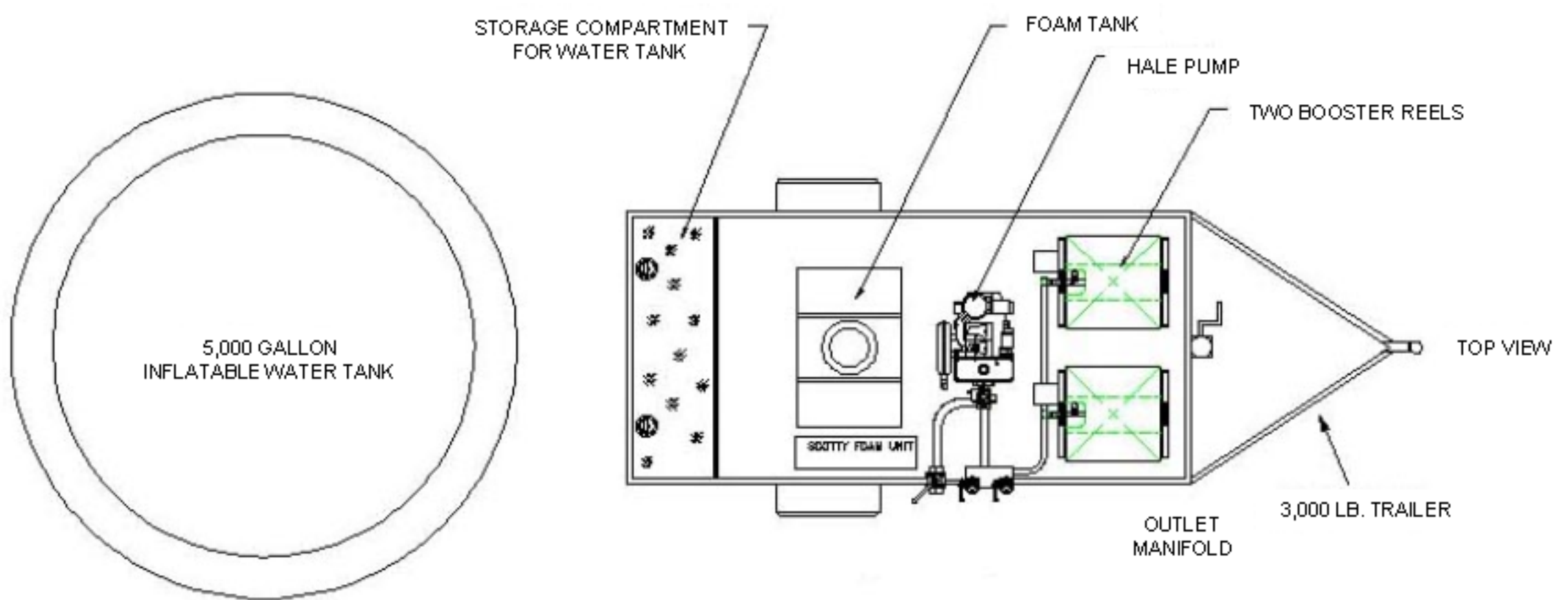
FOAM BLOWER *with Custom Depopulation Applicator*



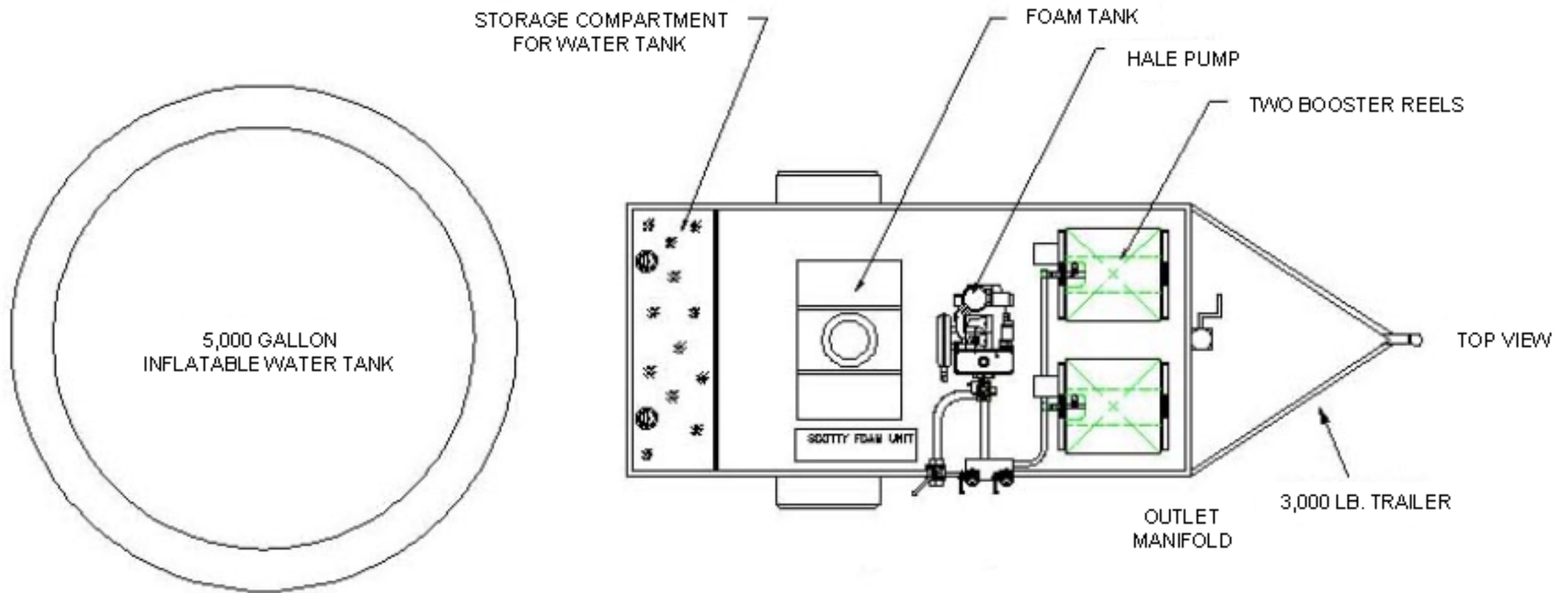
- Patented Portable Easy to Use System
- Worldwide Dealer Network
- Maintain Safe Distance with 25' Range
- Maximize results with Minimal Water & Foam with 50:1 foam to water ratio.
- Uses 1" Hose for easier maneuverability than 1.5" hose, also allowing use of smaller pump.
- Time to fill 1000 sq ft barn w/ 1ft foam: 10 minutes, Using 400 gallons of water and 4 gallons of foam.

For more information about the Porta-CAFS, contact David Horton at (631) 995-3246 or toll free at (888) 434-7362

Firematic™



This is a suggested trailer system set up for optimal performance of the Porta-CAFS Foam Blower. Trailer systems are built to order and can be customized to meet specific needs and budgets. Trailer system delivery time is approximately 4-6 weeks. Porta-CAFS® Foam Blowers are also sold separately. They are in stock available for immediate delivery. Quantity discounts available. Please call David Horton 888-434-7362 for a quote.



Porta-CAFS® Portable Foam System With Trailer

Components	Description	Qty	Price Ea.	Total US \$
Porta-CAFS®	Firematic™ Portable Foam Blower Pack	2	2,799	5,598
Water Tank	Fol-da-Tank® 5000 Gallon Portable Water Tank	1	3,360	3,360
Water Pump	Hale Fire Pump® HPX-200-B18 18hp Pump	1	4,950	4,950
Foam Tank	United Plastics® 100 Gallon Foam Tank	1	900	900
Foam Eductor	Scotty® 4071 Around the pump Foam Eductor	1	500	500
Hose Reel	Hannay® Electric Hose Reel to carry 250' of 1" Hose	2	850	1,700
Trailer	3000 lb. Single Axle Trailer	1	790	790
Hose	100 ft. Section of 1" Boost Lite® Hose	5	199	995
Labor	Installation of System onto Trailer, per hour	16	75	1,200
Warranty	2 Years Complete Coverage Parts and Labor included	1		
Training	On Site Training Included	1		
Delivery / Set Up	On Site Delivery and Set Up Included	1		
Total Cost per system				\$19,993

This is a suggested trailer system set up for optimal performance of the Porta-CAFS Foam Blower.

Trailer systems are built to order and can be customized to meet specific needs and budgets.

Trailer system delivery time is approximately 4-6 weeks.

Porta-CAFS® Foam Blowers are also sold separately. They are in stock available for immediate delivery.

Quantity discounts available. Please call David Horton 888-434-7362 for a quote.